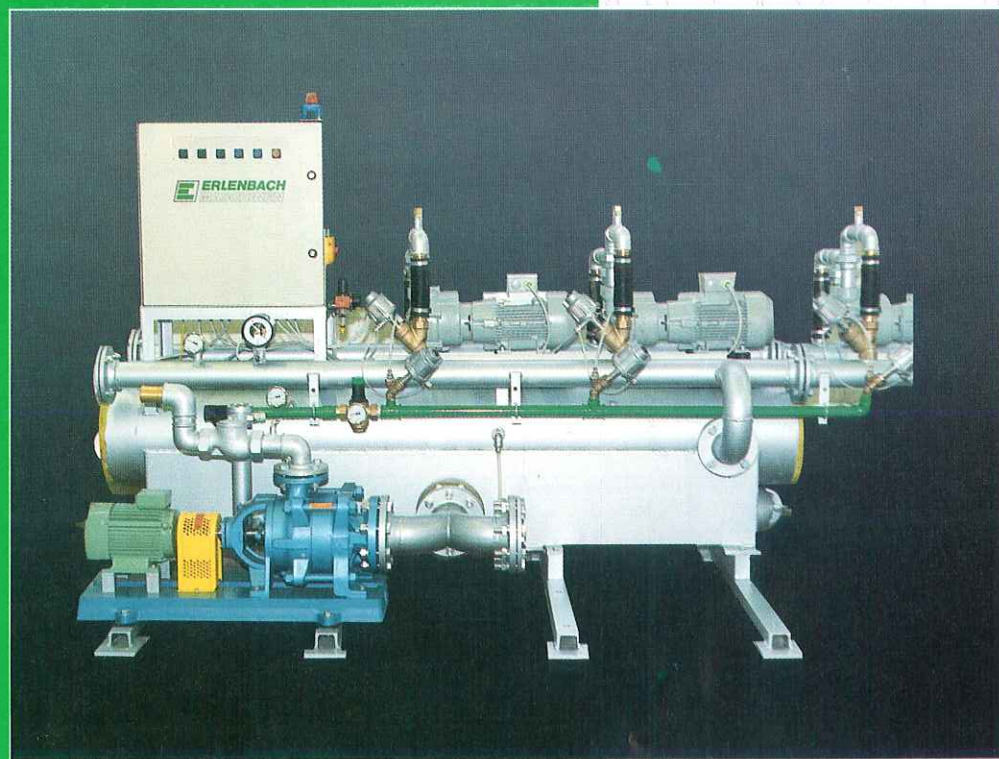


CENTRAL VACUUM



CENTRAL VACUUM

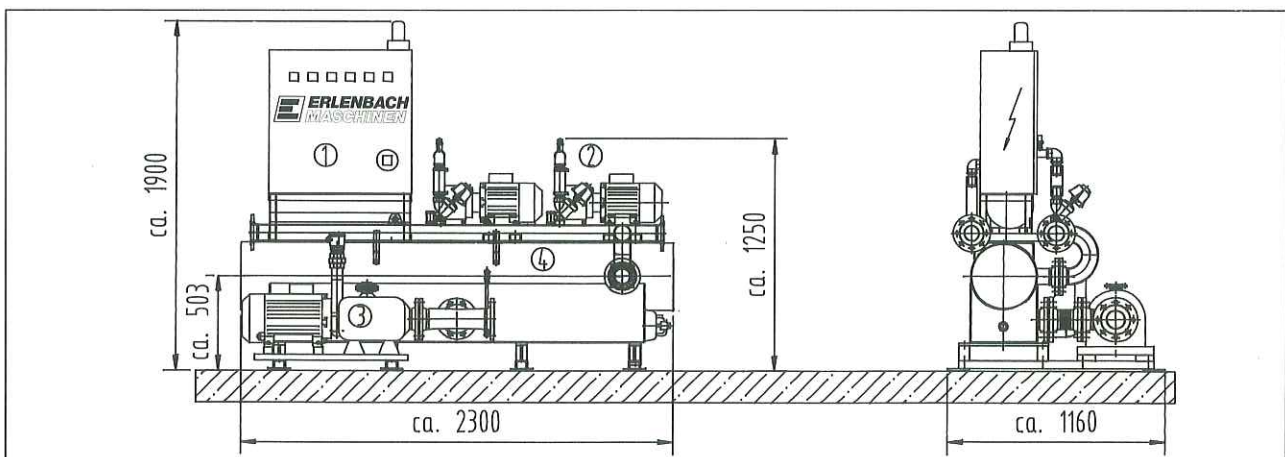
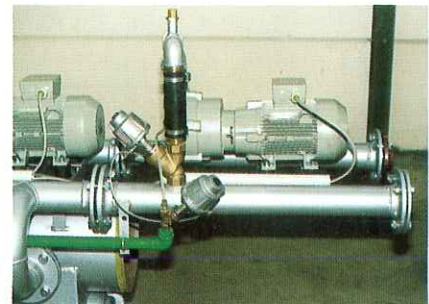
for an economical creation of a constant vacuum

The universal ERLENBACH central vacuum station is laid-out to vacuum cool several moulding machines with a moulding area up to 6 m². Tight moulds are the pre-requisites.

- Two or optionally three vacuum pumps (Pos. 2) with 3,85 kW are mounted on a carrier frame, consisting of the vacuum pumps, drain pipes and the vacuum distribution pipe (with flanges on both sides). The carrier frame and the drain pipe may be extended on both sides.
- Main vacuum pipe (Pos.4) with 355,6 x 5,6 mm can be extended on both sides with water pipe.
- 1 drain pump, governed by the water-level (Pos. 3) 2,2 kW and a capacity of 18 m³/h.

- The control panel (Pos. 1) is laid out for connection of 1 additional vacuum pump and 1 additional water pump

Depending on the available space and machine placement, the basic unit is supplied as individual components and may be assembled as required. The complete vacuum pump holder with panel, is designed for wall or floor mounting. Through lengthening the vacuum pump holder and adding a third vacuum pump and a second water pump, the capacity can be increased to approx. 9 m² moulding area or cope with deeper steamchambers. The second water pump is suggested also for higher water consumption due to long water cooling times.



- Subject to technical changes-